

# E SERIES

Outdoor LED Displays



**Top Brightness**  
**High Protection**  
**Low Consumption**



# EW SERIES

Outdoor LED Display



**IP67**

High protection



**4.500-7.000 nits**

Top brightness



**60 mm**

Thin box



**7.680 Hz**

Top refresh rate



**230 W/m<sup>2</sup>**

Average power consumption



**100.000 hours**

Long service life



### Standard cabinet design

Quick and seamless splice any screen size



### Thin screen box

60 mm thickness



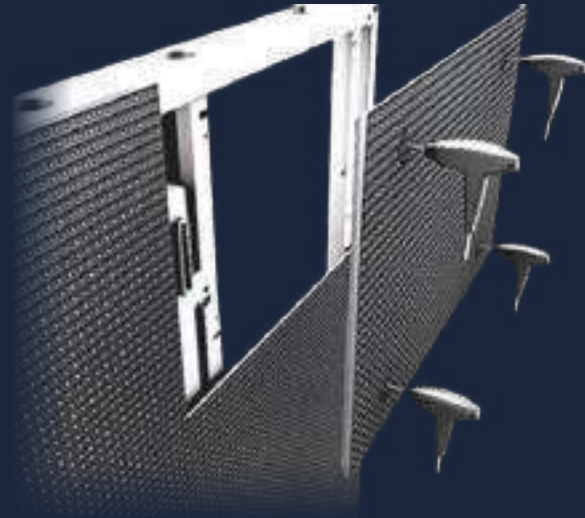


## Simple installation and maintenance

Convenient modular system

Fixed installation

Front or rear service



## Low consumption

Self-cooling technology

Better heat dissipation thanks to white aluminum

40% less power consumption than black plastic box



**Maximum brightness**

High waterproof level

Elevated dust-proof level

Strong heat resistance



**Naked-eye 3D Display**

Optional curved cabinets connection

Hyperrealist contents and optical ilusions

Striking 3D effects

# EW SERIES

## Outdoor LED Display



Pixel Pitch (mm)	P4.44	P5.7	P6.67	P7.8	P10.4
Module Size (mm)	480 x 320				
Module Resolution (dots)	108 x 72	84 x 56	72 x 48	61 x 41	46 x 31
Cabinet Size (mm)	960 x 960				
Cabinet Resolution (dots)	216 x 216	168 x 168	144 x 144	123 x 123	92 x 92
Weight (kg)	25				
Thickness (mm)	74,3				
Pixel Density (dots/m <sup>2</sup> )	50.630	30.625	22.500	16.384	9.216
Brightness (nits)	6.000				
Refresh Rate (Hz)	3.840				
Grey Scale (bits)	16				
LED Lamp	SMD1415	SMD1921	SMD2727		
Protection	IP65				
Viewing Angle (°)	H 160, V 140				
Temperature (°C) / Humidity (% RH)	-20 ~ 45 / 20 ~ 70				
Input Voltage	240V±10%; AC50Hz				
Maximun / Average Power Consumption (W/m <sup>2</sup> )	750 / 230				850 / 230
Life Span (hours)	≥ 100.000				
Maintenance Method	Front or rear				



# EW SERIES

Outdoor LED Display



# ES SERIES

Standard Outdoor LED Display



**IP65**

High protection



**6.000-8.500 nits**

Top brightness



**105 mm**

Thin box



**29 kg**

Lightweight cabinet



**Fast locks**

Easy to install



**100.000 hours**

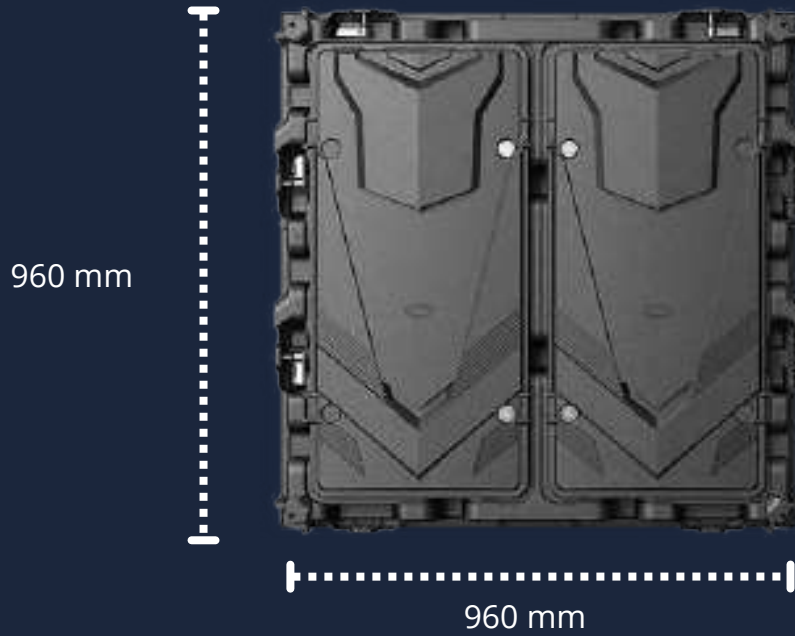
Long service life



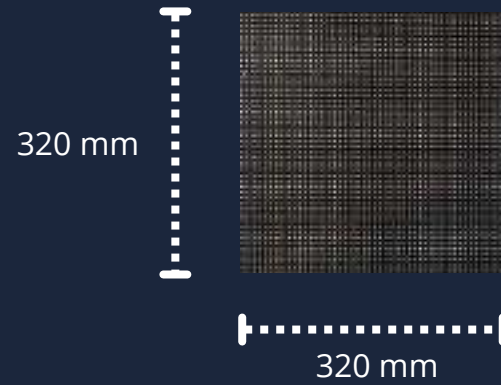


**Standard cabinet design**  
Quick and seamless splice any screen size

**Thin screen box**  
105 mm thickness

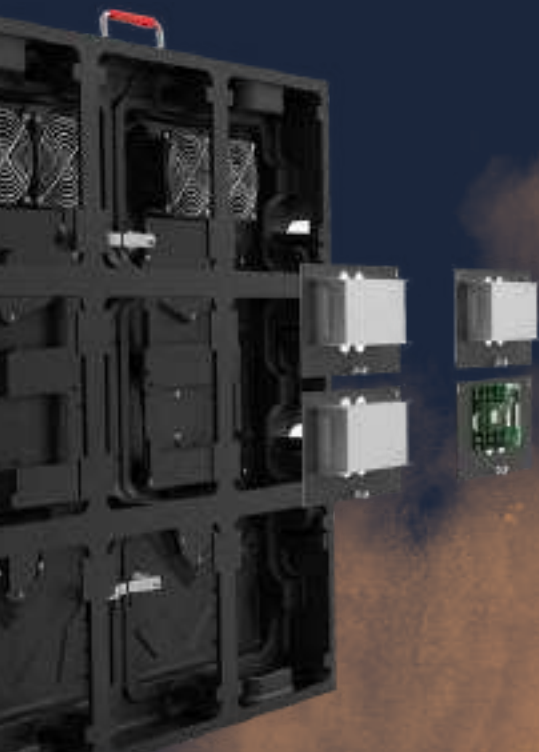
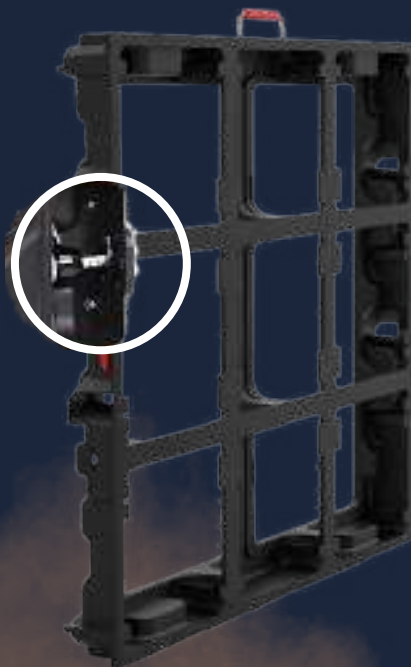


**Module**



## Simple installation

Convenient modular system  
Fixed stacking or wall mounted setup  
Quick locks



## Fast maintenance

Gear structure  
Power system front service  
Openable back cover

# ES SERIES

## Standard Outdoor LED Display



Pixel Pitch	P6.67	P8	P10	P10	P16
Module Size(mm)	320*320				
Cabinet Size (mm)	960*960				
Cabinet Resolution (dots)	144*144	120*120	96*96	96*96	60*60
Weight (kg)	29				
Brightness (nits)	6500	6000	6500	7000	8500
Refresh Rate (Hz)	≥1.920				
Grey Scale (bits)	14				
LED Lamp	SMD2727	SMD2727	SMD2727	DIP346	DIP346
Protection	Front IP65/ Back IP54				
Viewing Angle (°)	H 160, V 120			H 110, V 60	
Temperature (°C) / Humidity (% RH)	-20 - 50 / 10 ~ 90				
Input Voltage	AC110&AC220V±10% (Optional wide voltage; 50/60Hz)				
Maximun / Average Power Consumption (W/m²)	850 / 300	800 / 280	700 / 240	450 / 150	400 / 130
Life Span (hours)	≥ 100.000				
Material	Die Casting Aluminum				
Installation Method	Stacking / Wall mounted				
Maintenance Method	Front / Back Service				



# ES SERIES

Standard Outdoor LED Display





[www.pantallasledlearroy.com](http://www.pantallasledlearroy.com)

C/ Valdeon 24 - 28947 Fuenlabrada, Madrid (Spain)  
+34 620 411 079 / +34 91 615 89 81  
[contacto@learoyled.com](mailto:contacto@learoyled.com)

